

UMANG BOARDS LIMITED

PRODUCT DATA SHEET

CORNER COLLARS



Corner collars

AS PER IEC 641-1 TYPE B 4.1

CHARACTERISTIC FEATURES

1. 100% Electrical grade Sulphate Pulp
2. Natural -coloured
3. Made of Umang Transformers Board
4. High Purity and oil absorption
5. Insulation class A (105°C)
6. Good compatibility with liquid dielectrics strength



APPLICATIONS

Protecting edges in the insulation zone of wires

VARIANTS

Umang corrugated boards are available in the following shapes: -

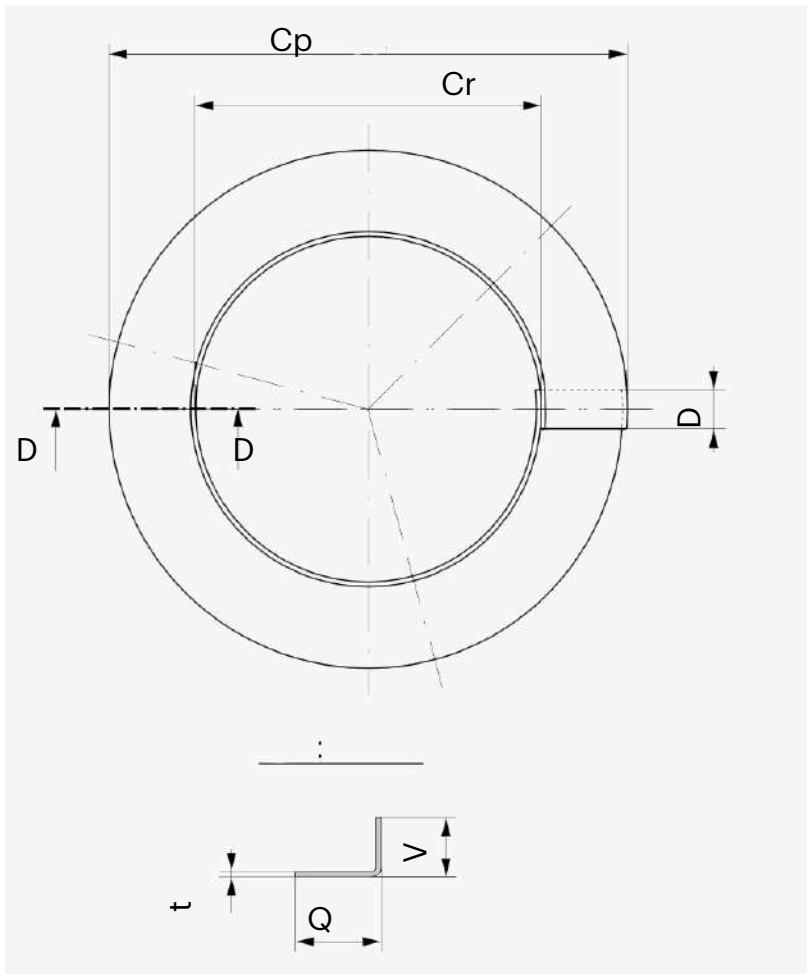
Corner collars-angle ring shape 1
Corner collars-angle ring shape 2
Corner collars-angle ring shape 3
Corner collars-angle ring shape 4



CORNER COLLARS-ANGLE RING SHAPE 1

TECHNICAL DRAWING

Dimensions



Cp	Cr	V	t	Q	D
Max 2600 mm	Min 300 mm	5 - 10 mm	0.5 - 2 mm	10-100 mm	20x s + 50 mm

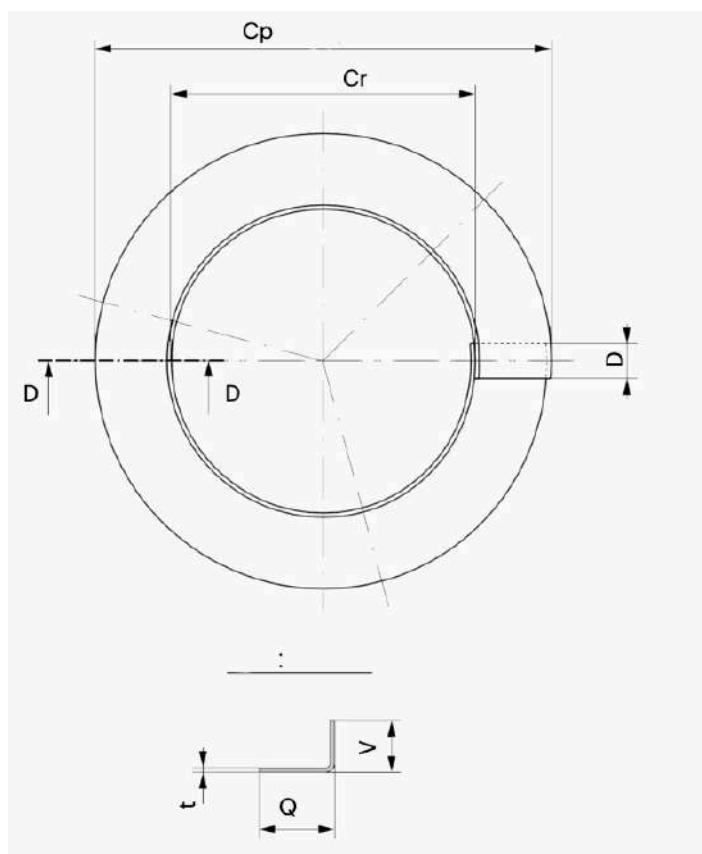
Tolerances



Cp	±3.0 mm
Cr	±3.0 mm
V	±1.0 mm
Width	±1.0 mm
T	±5%

CORNER COLLARS-ANGLE RING SHAPE 2

TECHNICAL DRAWING



Dimensions

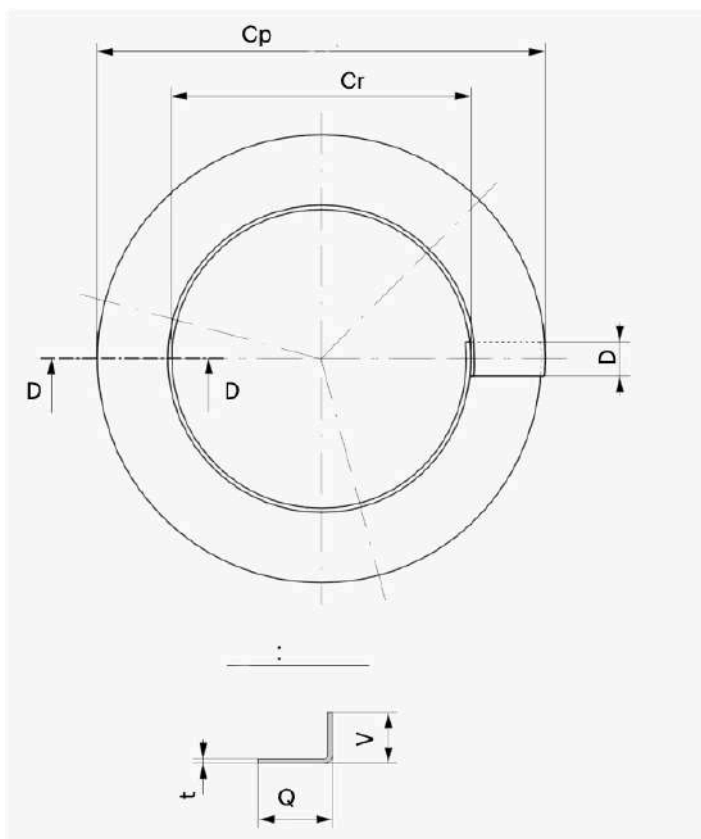
Cp	Cr	V	t	Q	D
Max 2600 mm	Min 300 mm	5 - 50 mm	0.5 - 2 mm	10-100 mm	20x s + 50 mm

Tolerances

Cp	±3.0 mm
Cr	±3.0 mm
V	±1.0 mm
Width	±1.0 mm
T	±5%

CORNER COLLARS-ANGLE RING SHAPE 3

TECHNICAL DRAWING



Dimensions

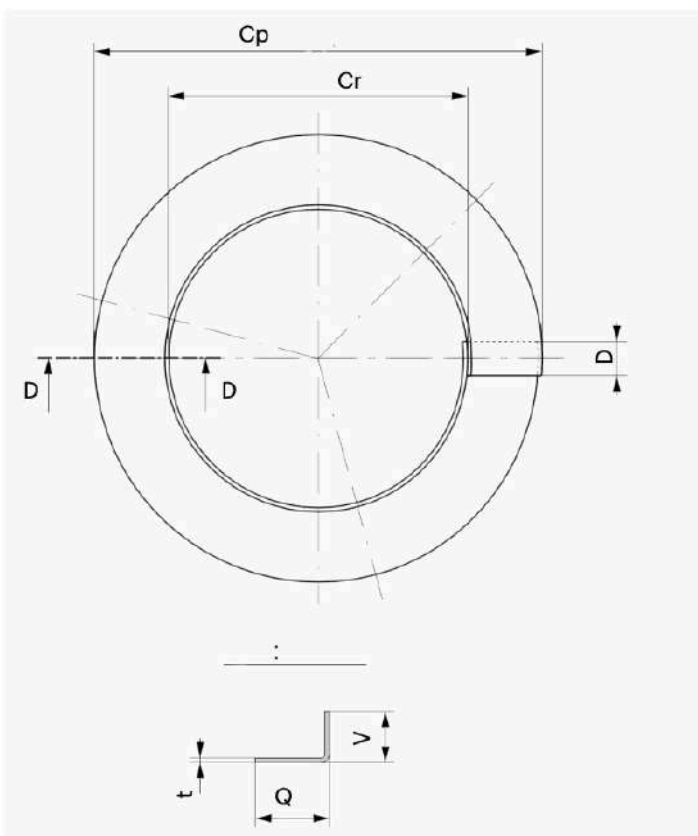
Cp	Cr	V	t	Q	D
Max 2600 mm	Min 300 mm	5 - 10 mm	0.5 - 2 mm	10-100 mm	20x s + 50 mm

Tolerances

Cp	±3.0 mm
Cr	±3.0 mm
V	±1.0 mm
Width	±1.0 mm
T	±5%

CORNER COLLARS-ANGLE RING SHAPE 4

TECHNICAL DRAWING



Dimensions

Cp	Cr	V	t	Q	D
Max 2600 mm	Min 300 mm	5 - 50 mm	0.5 - 2 mm	10-100 mm	20x s + 50 mm

Tolerances

Cp	±3.0 mm
Cr	±3.0 mm
V	±1.0 mm
Width	±1.0 mm
T	±5%

